

E series

Class D + Toroidal Transformer Power Amplifier

SAE

www.saeaudio.com
Download and share.



The E series is the most cost-effective toroidal transformer power amplifier of SAE Audio products. E series is the best choice for the economic application of sound reinforcement. E series has got the excellent performance and good sound quality with class D power amplifier module and toroidal transformer power supply. The amplifier can automatically identify and switch the voltage (120V/240V) after electrify. It is the most advanced creation of toroidal power amplifier.

Technology

Class D + Toroidal transformer power supply

Class D, which is the most advanced audio power amplification technology in new era, SAE Audio use it into power modules, realize a perfect initiative combination between ClassD and premium toroidal transformer, providing E series with outstanding performance and best sound quality.

Automatically identify and Switch the voltage

In order to facilitate the use of 120V or 240V countries, E series can automatically identify and switch the voltage after electrify. the appearance of E series are more concise and fashion without Manual switch , the performance of E series are better than other toroidal power amplifiers. It is the most advanced creation of toroidal power amplifier.



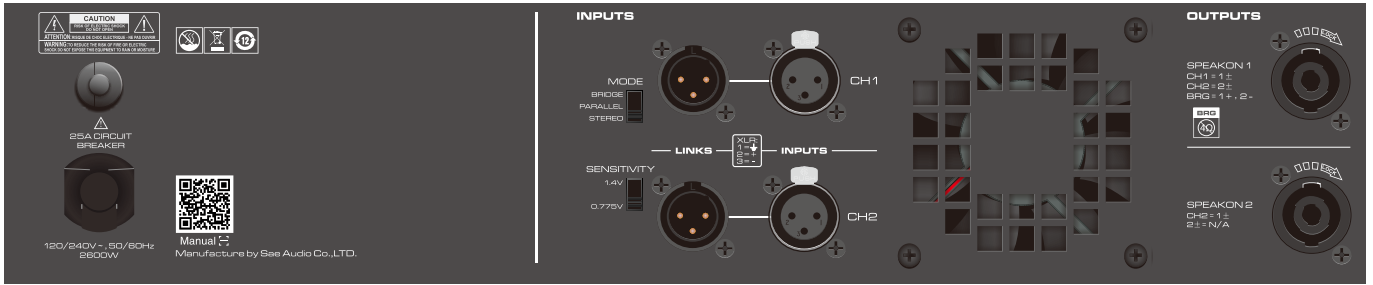
Features

- Premium toroidal transformer power supply.
- Class D power modules.
- XLR input and SpeakON NI4.
- Automatically identify and switch the voltage(120V/240V).
- Routing mode selector on the back panel (stereo / bridge-parallel).
- Input sensitivity selector on the back panel (0.775v/1.4v).
- Channel independent protection and clip warning indicators on the front panel.
- Channel independent power and signal presence indicators on the front panel.

- Scan the QR code on rear panel, keep the electronic manual permanently.
- CNC alumina alloy silver panel, fashion and unique

Applications

- Small to mid sized bar/café/lounge installation.
- Economical sound reinforcement applications.



E1500 rear panel

Specifications

Model	E200	E400	E600	E800	E1000	E1500
Output power (AC 220V / 50Hz. ±10%, All channels driven output power, THD=1%)						
8Ω stereo	200W x2	400W x2	600W x2	800W x2	1000W x2	1500W x2
4Ω stereo	300W x2	450W x2	650W x2	1000W x2	1400W x2	2200W x2
8Ω bridge	600W	900W	1300W	2000W	2800W	4200W

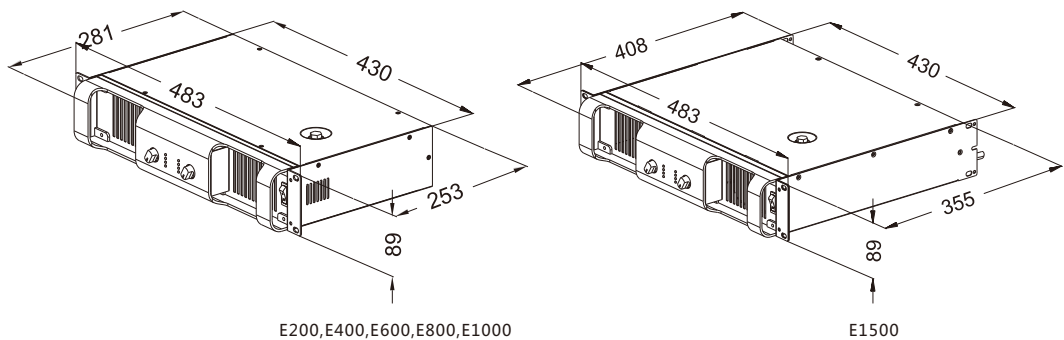
Other specification

Frequency response	20Hz - 20kHz (+0/-1dB)	20Hz - 20kHz (+0/-1.8dB)				
THD+N	≤ 0.1%					
S/N rate	≥ 85dB					
Input sensitivity	0.775v / 1.4v					
Input impedance(bal/unbal)	40kΩ / 20kΩ					
Voltage gain (8 ohm)	34dB	37dB	38.9dB	40dB	41dB	43dB
Cooling	Air flow from front to rear					
Protection	Soft start , VHF , short circuit , over load , clip limit , over heat , over voltage10%(E400/E800) , progressive volume					
	E800: When the protection of this product because of short circuit / over load / over voltage , the circuit will be locked, and then must restart to unlock.					

Dimension / Weight

Product dimensions (mm)	483x254x89	483x254x89	483x254x89	483x254x89	483x254x89	483x419x89
Packaging Dimension(mm)	560x420x170	560x420x170	560x420x170	560x420x170	560x420x170	595x565x170
G.W.	9.1kg	10.3kg	11.4kg	11.8kg	12.1kg	20.3kg

Product dimension(mm)



Remark : 1、 The power is tested under the condition of 40ms burst,1kHz sine wave and 1% THD.
 2、 SAE reserves the right to make any changes to the product specifications without prior notice. Final specifications to be found in the user manual.