



F2108P



F2208P



F1115P

The FP series of active speakers from SAE Audio represent a step further on sound reinforcement systems flexibility and portability. Thanks to its high efficiency built-in Class D power modules and multiple installation accessories the FP series speakers are the most versatile system for any type of installation or small sized entertainment application. The FP series include two full-range speaker models (F2108P and F2208P) to match your required SPL and one subwoofer model (F1115P) to expand the low frequency system response and provide a more complete sounding performance.

Features

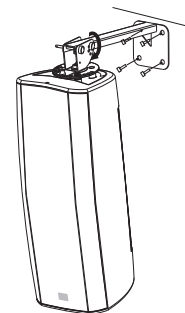
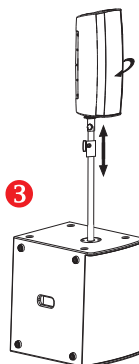
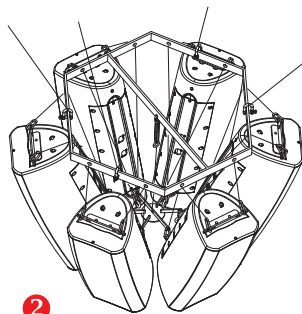
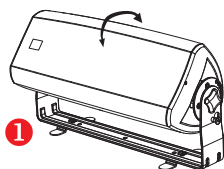
- Active 2-way full range speakers and active subwoofer.
- High efficiency Class D power modules.
- Superior professional drivers.
- High-efficiency smart-enclosure F2108P and F2208P design.
- 90° horizontal x 90° vertical coverage horn on the F2108P.
- 90° horizontal x 40° vertical coverage horn on the F2208P (assuming a vertical speaker installation).
- Subwoofer reinforcement with the F1115P speaker.
- Built-in network crossover on the F1115P subwoofer with signal link for one F2108P or F2208P speaker.
- Mains power link on the F1115P subwoofer for one F2108P or F2208P speaker.
- Subwoofer section gain knob on the F1115P back panel.
- Wide range of optional installation accessories for increased application flexibility.
- F1115P subwoofer enclosure made of Medium Density Fiberboard with hydrophobic spray coating.
- Black and White colors available.

Applications

- Portable and mobile PA system for small sized entertainment events.
- Small sized DJ applications.
- Stage monitoring system.
- Small and mid sized installations on bar, café or lounge.
- Sports center, auditorium, conference room, house of worship or transport facilities installations.

Optional accessories available

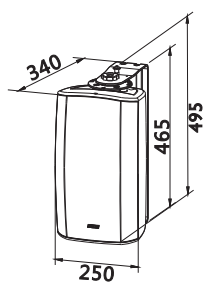
- 1 U-shape stand
- 2 Hexagonal 360° frame
- 3 Pole stand
- 4 Vertical wall support



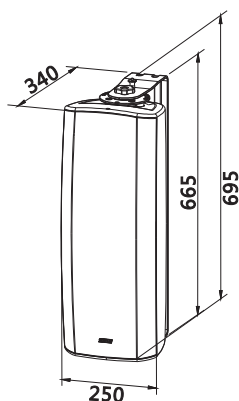
Specifications

| Model | F2108P | F2208P | F1115P |
|---------------------------------------|--|--|----------------------------------|
| Speaker type & Driver unit | | | |
| Speaker type | 2-way full range speaker | 2-way full range speaker | Sub-woofer |
| Speaker components | HF: 1 x 1.34" voice coil, LF: 1 x 8", 2" voice coil | HF: 1 x 1.34" voice coil, LF: 2 x 8", 2" voice coil | LF: 1 x 15", 3" voice coil |
| Acoustical specifications | | | |
| Frequency response* | 70Hz ~ 18kHz | 70Hz ~ 18kHz | 35Hz ~ 95Hz |
| Max. SPL (at 1 m) | 113dB | 119dB | 123dB |
| Dispersion angel | H: 90° / V: 90° | H: 90° / V: 40° | --- |
| Amps specifications | | | |
| Output power (Class D) | HF: 30W LF: 200W | HF: 50W LF: 200W x2 | LF: 1000W |
| Input sensitivity | 0.775v | 0.775v | 0.775v |
| Input impedance (bal / unbal) | 40kΩ / 20kΩ | 40kΩ / 20kΩ | 40kΩ / 20kΩ |
| Switch | None | None | None |
| Connections | XLR / PowerCon | XLR / PowerCon | XLR / PowerCon |
| Protection | Overheat overload limit | Overheat overload limit | Overheat overload limit |
| AC input power (±10%) | AC 100~240v / 50~60Hz | AC 100~240v / 50~60Hz | AC 115v / 60Hz AC 230v / 50Hz |
| Other specifications | | | |
| Enclosure construction material | HiPS | HiPS | 18mm MDF |
| Colors available | Black & White | Black & White | Black & White |
| Grille | Perforated aluminum alloy | Perforated aluminum alloy | Perforated steel |
| Dimension & Weight | | | |
| Product dimensions (mm) | 465 x 250 x 340 | 665 x 250 x 340 | 410 x 630 x 642 |
| Packing dimensions (mm) | 370 x 420 x 580 | 760 x 420 x 370 | 525 x 730 x 745 |
| Net weight | 11kg | 17kg | 36kg |
| Gross weight | 13.5kg | 19.5kg | 40kg |
| Choice accessories | F series accessory | F series accessory | --- |

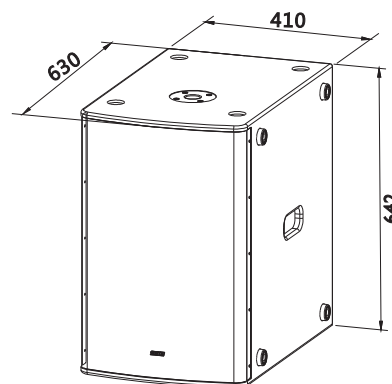
Dimension (mm)



F2108P



F2208P



F1115P

*, (-6dB Half Space, no EQ)

SAE reserves the right to make changes in specifications without prior notice. Final specifications are subjected to the user manual.